

Interior Roller Blinds

Interior Roller Blinds + drives + automation with 3rd party building management integration.



- Anti glare
- High quality components
- Efficient installation
- Multiple fabric choices
- Excellent solar properties

Roller blinds – the proven classic. Due to the diverse installation options and with an almost unlimited selection of fabrics, you can equip almost any window beautifully and functionally. From our own production made systems, we offer applications from S to L. The blinds can be attached in a variety of ways and installed using standard, lateral guides using a cable or profile guides. The vasatec blind systems are operated by an electric drive with multiple automation possibilities, making Roller Blinds a common shading system for large scale office buildings, providing a smart and effective shading solution for preventing overheating, glare control and reducing the demand for air conditioning.

Motorised Control



Roller Blinds are controlled by raising and lowering the fabric roll, allowing as much or as little light as desired. Motorised blinds can be controlled at various levels of sophistication, from wall switch, remote control or BMS system integration. i.e. KNX, LON and BACNET IoT connected blind control.

- KNX & BMS network integration
- Solar path timed control
- IoT digital motors
- Future proof software
- Fail Proof Installation

Digital Motor Features



- Parallel wiring of 16 motors
- One power supply for 16 motors
- Motor connections with plug
- Exact positioning of motors
- Cycle counter implemented in motor
- Status information accessible for BMS systems

Control Solutions

Conventional



- Parallel wiring of up to 4 motors
- DCT Integration with 1-, 2- and 4-channel controls
- KNX Integration with 1- and 4-channel controls
- RS485 integration for combined BUS and DCT solutions

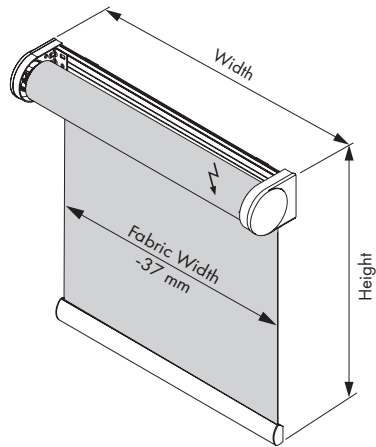
Control Solutions

SMI Controllers

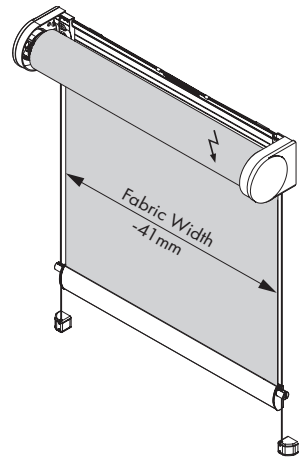


- Parallel wiring of up to 16 motors
- Up to 16 switches for 16 motors
- Up to 64 motors on one KNX Gateway
- Online feedback on motor position
- Online feedback on motor temperature
- Parallel wiring of up to 16 motors
- Seamless KNX, LON, RS 485 integration

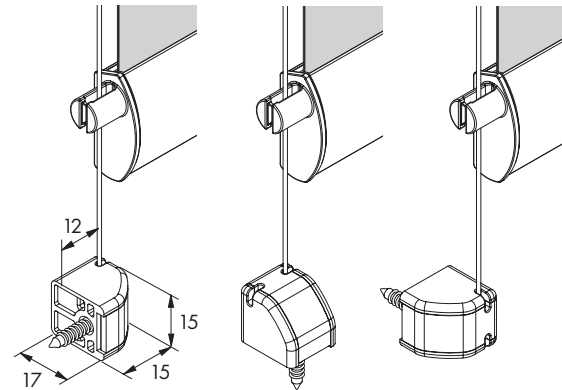
Motorised Roller Blind



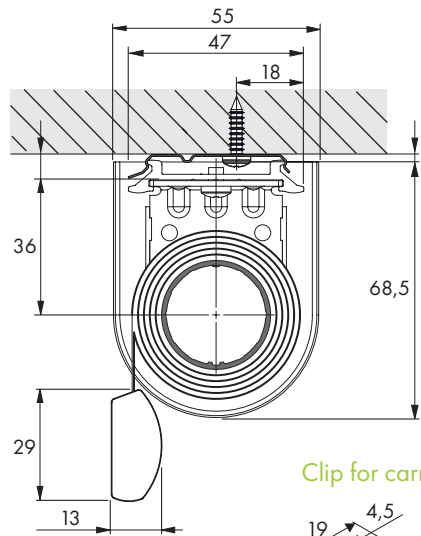
Motorised Roller Blind with Cable Guide



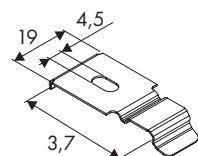
Cable Guide Attachment Detail



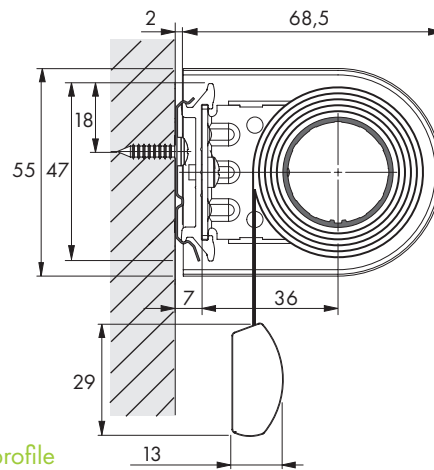
Ceiling Fixing Profile



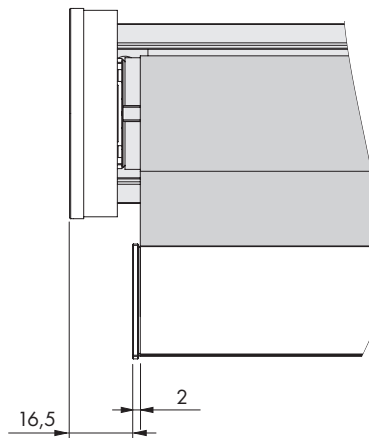
Clip for carrier profile



Wall fixing Profile



Front Profile



Product Details

Product Name:	vasatec Roller Blind
Shading System:	Roller Blinds VRB01
Motor:	Vestamatic VL (230V) or LL (24V)
Aluminum shaft:	Made of extruded aluminum (Al Mg Si 0.5 F22)
Support profile:	(47 x 9 mm) Made of extruded aluminum (Al Mg Si 0.5 F22)
End profile:	(13 x 29 mm) made of extruded aluminum (Al Mg Si 0.5 F22) can be used for pendulum protection, brush sealing possible. Additional weighting possible with Ø5 mm and/or 4 x 8 mm steel profile.
Components:	Plastic parts made of high-quality, UV-resistant, temperature-resistant and abrasion-resistant plastic. Cable guide up to a maximum of 15° inclination. Steel cable (Ø0.8 mm) plastic-coated in black, gray and white (Ø1.0 mm).

Dimensions (depending on fabric)

Shaft Ø29.0 / Ø38.0	
Min Width:	0,40 m (depending on motor)
Max Width:	2,80 m (depending on fabric)
Max Height:	3,00 m (depending on fabric)
Max Weight:	Braking force 5.0 kg (depending on motor)

Hardware Colors



Product Information



vasatec-contractshading.com/rollerblinds

vasatec Roller Blinds paired with convenient control solutions are available for small, medium to large scale projects.



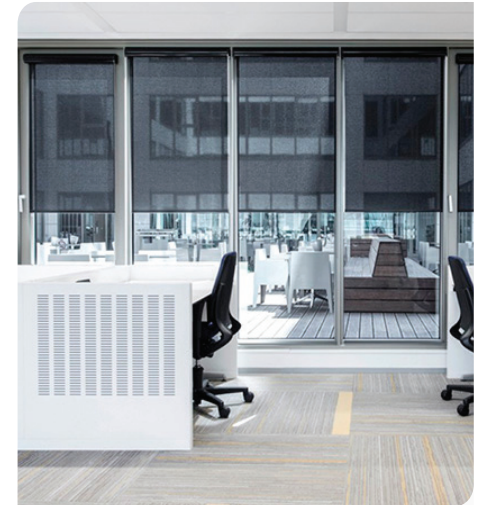
Automated Systems



Various Screen Fabrics



High-performance Fabrics



large scale projects



Vasatec Solution Cards for more information on shading systems, control and integration options.

Systems

Wiring

Automation

vasatec-contractshading.com/solutions



reuther.info